

NON-ADJUSTABLE HYDRAULIC SERIES

PM/PRO SERIES TK/STH SERIES

유압 비조정형 모델

특 성



다양한 종류의 크기와 넓은 범위의 에너지 흡수 용량



고객의 요구에 맞는 제품생산
SH/STH Series



어떠한 환경에서는 완벽하게 작동하는 Oil
표준유 : -10~80°C, 특수유 : -30~100°C



나사식 본체로 인한 체결 용이성 및 원활한 열발산



긴수명, 높은 에너지 용량,
니켈크롬 도금으로 신뢰성 향상



엄격하고 정밀한 품질관리로 긴 수명보장



PRO Series PRO 15M ~ PRO 225M
점진적인 댐핑효과 자기보정형 모델



PM Series PMX 8M ~ PM 2150M
저속, 고추진력에 적합, 자기보정용 모델



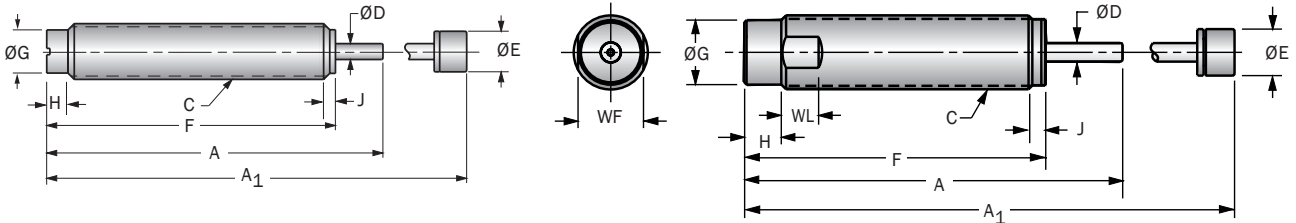
SH/STH Series SH 25M ~ STH 1.5M x 2
주문제작형 모델

Non-Adjustable Hydraulic Series PM/TK

PM

PMX 8M → PMX 10M

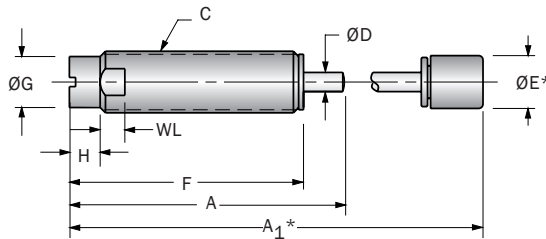
PM 15M → PM 100M



Catalog No.		Bore Size (mm)	(S) Stroke (mm)	(E _T) Max. Nm/cycle	(E _T C) Max. Nm/hour	(F _P) Max. Shock Force (N)	Nominal Coil Spring Force		(F _D) Max. Propelling Force (N)	Model Wt (g)
(Model)	Damping Constant						Extension (N)	Compression (N)		
PMX 8 M (B)	-1, -2, -3	4,6	6,4	3,0	5 650	890	2,7	5,6	200	16
PMX 10 M (B)	-1, -2, -3	6,0	7,0	6,0	12 400	1 600	2,2	4,5	350	23
PM 15 M (B)	-1, -2, -3	6,0	10,4	5,0	14 125	1 000	3,0	7,0	220	42
SPM 25 M (B)	-1, -2, -3	7,0	12,7	17,0	29 000	2 220	6,0	13,0	890	65
PM 25 M (B)	-1, -2, -3	7,1	16,0	26,0	34 000	2 800	4,45	11,1	890	68
SPM 50 M (B)	-1, -2, -3	11,0	12,7	26,0	45 200	3 110	6,0	15,0	1 600	123
PM 50 M (B)	-1, -2, -3	11,0	22,0	54,0	53 700	3 750	8,9	30,0	1 600	136
PM 100 M (B)	-1, -2, -3	13,0	25,0	90,0	70 000	5 500	14,0	27,0	2 200	300
PM 120 M	-1, -2, -3	16,0	25,0	125,0	75 700	7 550	56,0	87,0	3 100	455
PM 220 M	-1, -2, -3	16,0	50,0	250,0	90 300	7 550	22,0	87,0	3 100	625
PM XT 1525M	-1, -2, -3	20,0	25,0	360,0	124 303	28 856	49,0	68,0	6 700	1 000
PM XT 1550M	-1, -2, -3	20,0	50,0	732,0	166 300	28 856	47,0	78,0	6 700	1 100
PM XT 1575M	-1, -2, -3	20,0	75,0	1127,0	200 000	28 856	32,0	78,0	6 700	1 300
PM XT 2050M	-1, -2, -3	30,0	50,0	1860,0	270 000	61 000	76,0	155,0	17 800	2 700
PM XT 2100M	-1, -2, -3	30,0	100,0	3721,0	360 000	61 000	69,0	160,0	17 800	3 300
PM XT 2150M	-1, -2, -3	30,0	150,0	5549,0	421 000	61 000	90,0	285,0	17 800	4 200

TK

TK 10M (B)

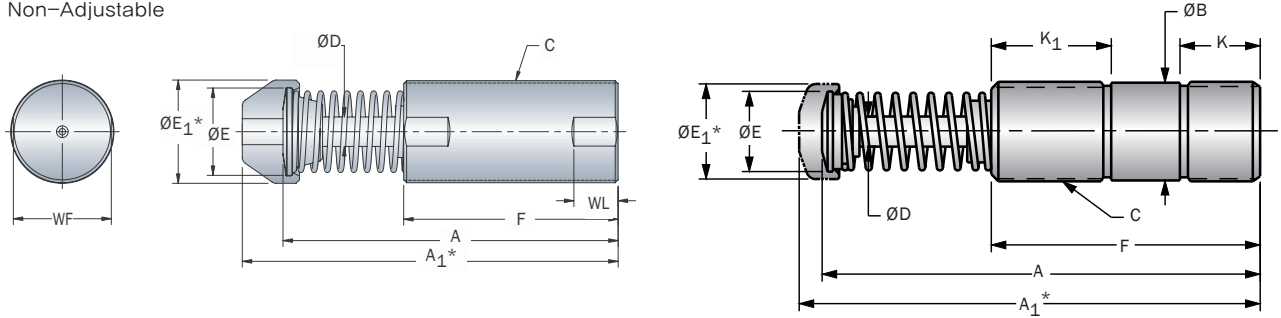


Catalog No.		Bore Size (mm)	(S) Stroke (mm)	(E _T) Max. Nm/cycle	(E _T C) Max. Nm/hour	(F _P) Max. Shock Force (N)	Nominal Coil Spring Force		(F _D) Max. Propelling Force (N)	Model Wt (g)
(Model)	Damping Constant						Extension (N)	Compression (N)		
TK 21M	-1, -2, -3	7,1	6,4	2,2	4 100	700	2,9	5,0	89	12
TK 10M (B)	-1 to -9	7,0	6,4	6,0	13 000	1 400	1,5	10,0	-	17

Non-Adjustable Hydraulic Series

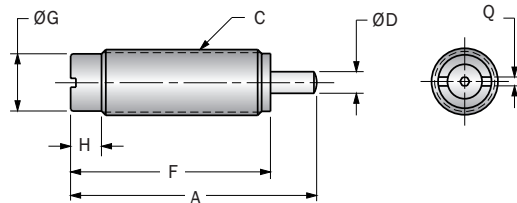
PMXT 1525M → PMXT 2150M

Non-Adjustable



A	A ₁	B	C	D	E	E ₁	F	G	H	K	K ₁	WF	WL	(S) Stroke (mm)	Catalog No.	
															Damping Constant	(Model)
47,0	57,0	-	(MF) M8 x 0,75 (MC) M8 x 1,0	2,5	6,8	-	40,9	6,6	4,6	-	-	-	-	6,0	-1, -2, -3	PMX 8 M (B)
54,0	64,0	-	(MF) M10 x 1,0	3,2	8,6	-	46,5	8,6	4,6	-	-	-	-	7,0	-1, -2, -3	PMX 10 M (B)
60,0	70,0	-	(MF) M12 x 1,0	3,2	8,8	9,8	49,8	9,9	6,9	-	-	11	9,5	10,4	-1, -2, -3	PM 15 M (B)
82,3	91,8	-	(MF) M14 x 1,0 (MC) M14 x 1,5	4,0	11,2	-	69,1	10,9	5,1	-	-	12	12,7	12,7	-1, -2, -3	SPM 25 M (B)
97,5	107,0	-	(MF) M14 x 1,0 (MC) M14 x 1,5	4,0	11,2	-	81,3	10,9	7,6	-	-	12	12,7	16,0	-1, -2, -3	PM 25 M (B)
90,0	102,0	-	(MC) M20 x 1,5	4,8	12,7	-	74,5	16,3	9,4	-	-	18	12,7	12,7	-1, -2, -3	SPM 50 M (B)
118,5	130,5	-	(MC) M20 x 1,5	4,8	12,7	-	95,5	16,3	7,6	-	-	18	12,7	22,0	-1, -2, -3	PM 50 M (B)
128,5	141,5	-	(MF) M25 x 1,5 (MC) M27 x 3,0	6,4	15,7	-	102,6	22,2	12,7	-	-	22,4	12,7	25,0	-1, -2, -3	PM 100 M (B)
138,0	144,0	-	(MF) M33 x 1,5	9,5	25,4	30,5	85,4	-	-	-	-	-	-	25,0	-1, -2, -3	PM 120 M
189,0	195,0	-	(MF) M33 x 1,5	9,5	25,4	30,5	110,7	-	-	-	-	-	-	50,0	-1, -2, -3	PM 220 M
144,0	162,0	-	(MF) M45 x 1,5	12,7	38,0	44,5	92,0	-	-	-	-	43,0	19,0	25,0	-1, -2, -3	PMXT 1525M
195,0	213,0	-	(MF) M45 x 1,5	12,7	38,0	44,5	118,0	-	-	-	-	43,0	19,0	50,0	-1, -2, -3	PMXT 1550M
246,0	264,0	-	(MF) M45 x 1,5	12,7	38,0	44,5	143,0	-	-	-	-	43,0	19,0	75,0	-1, -2, -3	PMXT 1575M
226,0	243,0	-	(MF) M64 x 2,0	19,0	50,0	57,0	140,0	-	-	-	-	61,5	19,0	50,0	-1, -2, -3	PMXT 2050M
328,0	345,0	-	(MF) M64 x 2,0	19,0	50,0	57,0	191,0	-	-	-	-	61,5	19,0	100,0	-1, -2, -3	PMXT 2100M
456,0	473,0	-	(MF) M64 x 2,0	19,0	60,0	60,0	241,0	-	-	-	-	61,5	19,0	150,0	-1, -2, -3	PMXT 2150M

TK 21M

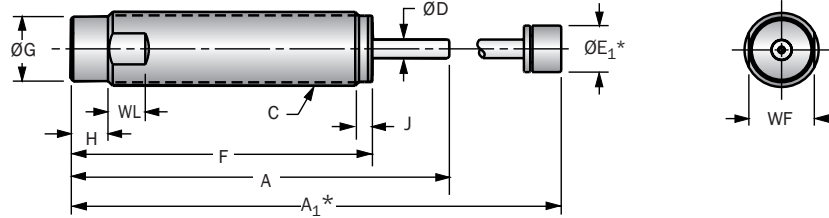


A	A ₁	C	C ₁	D	E	F	G	H	Q	(S) Stroke (mm)	Catalog No.	
											Damping Constant	(Model)
35,4	-	M10 x 1,0	-	3,2	-	28,7	8,2	4,4	1,2	6,4	-1, -2, -3	TK 21M
44,6	54,4	M10 x 1,0	-	3,1	8,5	38,0	8,3	5,0	1,5	6,4	-1 to -9	TK 10M (B)

All dimensions in millimeters.

PRO

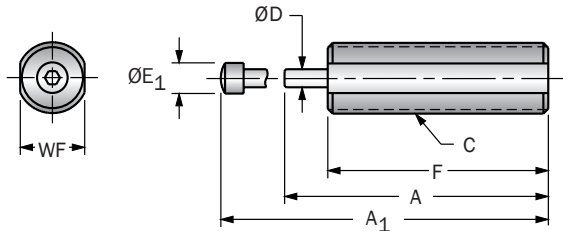
PRO 15M → PRO 100M



Catalog No.		Bore Size (mm)	(S) Stroke (mm)	(E _F) Max. Nm/cycle	(E _F C) Max. Nm/hour	(F _P) Max. Shock Force (N)	Nominal Coil Spring Force		(F _D) Max. Propelling Force (N)	Model Wt (g)
(Model)	Damping Constant						Extension (N)	Compression (N)		
PRO 15 M (B)	-1, -2, -3	6,0	10,4	5,0	14 125	1 000	3,0	7,0	220	42
PRO 25 M (B)	-1, -2, -3	7,1	16,0	26,0	34 000	2 800	4,0	11,0	530	71
PRO 50 M (B)	-1, -2, -3	11	22,0	54,0	53 700	3 750	9,0	30,0	890	200
PRO 100 M (B)	-1, -2, -3	13	25,0	90,0	70 000	5 500	14,0	27,0	1 550	285
PRO 110 M	-1, -2, -3	14,0	40,0	190,0	75 000	7 500	18,0	49,0	2 220	454
PRO 125 M	-1, -2, -3	16,0	25,0	125,0	91 000	7 500	40,0	58,0	2 220	565
PRO 225 M	-1, -2, -3	16,0	50,0	250,0	111 000	7 500	22,0	58,0	2 220	740

STH

STH .25M → STH 1.5M x 2

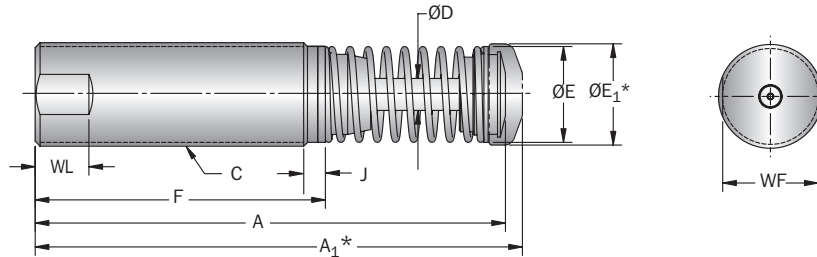


Catalog No. (Model)	Bore Size (mm)	(S) Stroke (mm)	(E _F) Max. Nm/cycle	(E _F C) Max. Nm/hour	(F _P) Max. Shock Force (N)	Nominal Coil Spring Force		Model Wt (g)
						Extension (N)	Compression (N)	
ST .25M	11,2	6,0	11	3 400	2 730	11	18	56
STH .25M	11,2	6,0	11	4 420	2 730	11	18	79
ST .5M	14,5	12,5	65	34 000	8 000	18	31	113
STH .5M	14,5	12,5	65	44 200	8 000	18	31	218
ST .75M	19,5	19,0	245	68 000	19 600	35	89	312
STH .75M	19,5	19,0	245	88 400	19 600	35	89	500
ST 1.0M	25,4	25,0	500	113 000	29 800	98	235	590
STH 1.0M	25,4	25,0	500	147 000	29 800	98	235	726
SH 1.0M x 2	25,4	50,0	1 000	181 000	29 800	66	133	771
STH 1.0M x 2	25,4	50,0	1 000	235 000	29 800	66	133	862
STH 1.5M	35,0	25,0	1 150	250 000	65 000	90	228	1 400
STH 1.5M x 2	35,0	50,0	2 300	360 000	65 000	56	226	1 800

* SH모델은 신규제작은 없으므로 기존 사용제품을 교체시 이용바랍니다.

PRO

PRO 110M → PRO 225M



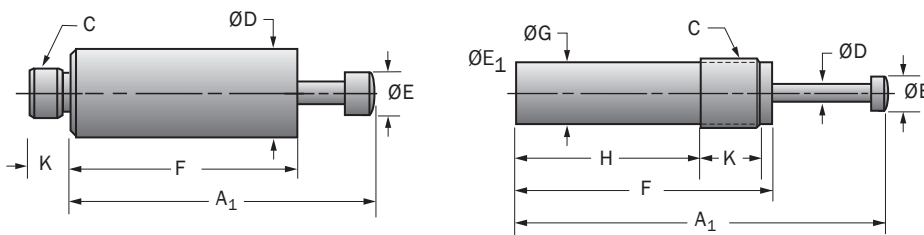
A	A ₁	C	D	E	E ₁	F	G	H	WF	WL	(S) Stroke (mm)	Catalog No.	
												Damping Constant	(Model)
62,5	72,4	(MF) M12 x 1,0	3,15	8,8	-	53,3	9,9	6,9	11,0	9,5	10,4	-1, -2, -3	PRO 15 M (B)
97,5	107,0	(MF) M14 x 1,0 (MC) M14 x 1,5	4,0	11,2	-	81,3	10,9	7,6	12,0	12,7	16,0	-1, -2, -3	PRO 25 M (B)
118,5	130,5	(MF) M20 x 1,0 (MC) M20 x 1,5	4,8	12,7	-	95,5	16,3	7,6	18,0	12,7	22	-1, -2, -3	PRO 50 M (B)
128,8	141,5	(MF) M25 x 1,5 (MC) M27 x 3,0	6,4	15,7	-	102,6	22,0	12,7	22,4	12,7	25	-1, -2, -3	PRO 100 M (B)
201,4	204,7	(MF) M25 x 1,5 (MC) M25 x 2,0	8,0	22,2	22,2	127,0	21,4	10,0	-	-	40	-1, -2, -3	PRO 110 M
151,0	157	(MF) M36 x 1,5	9,5	31,0	35,0	98,5	-	-	-	-	25	-1, -2, -3	PRO 125 M
202,0	208	(MF) M36 x 1,5	9,5	31,0	35,0	124,0	-	-	-	-	50	-1, -2, -3	PRO 225 M

All dimensions in millimeters.

STH

STH .25M → STH 1.0

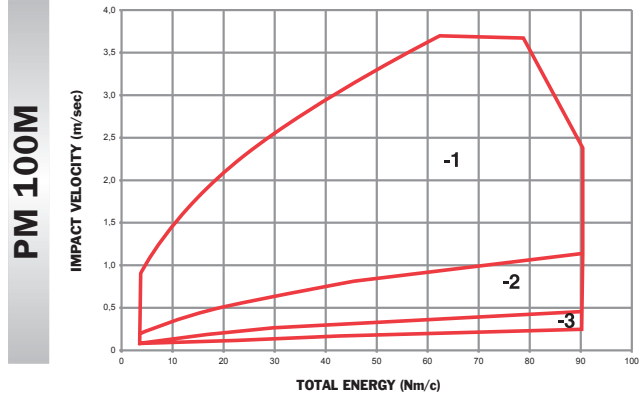
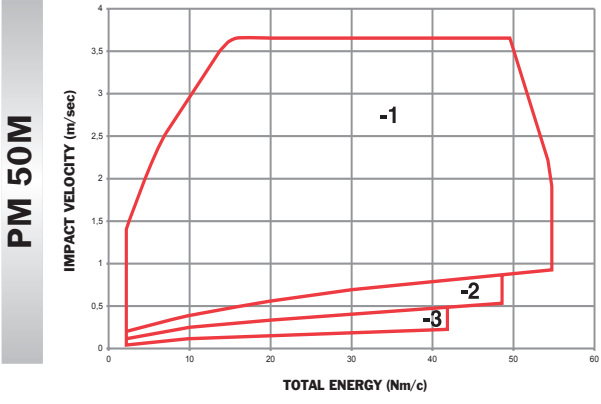
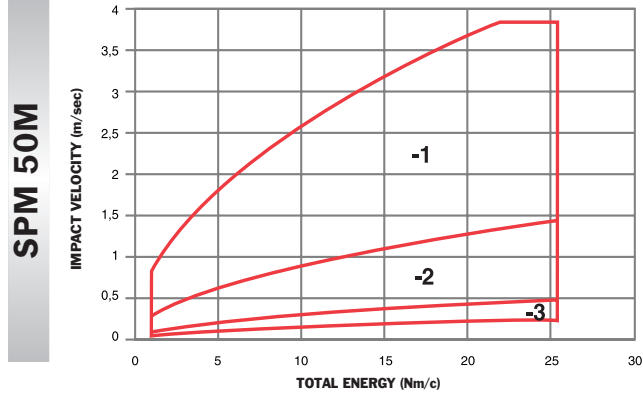
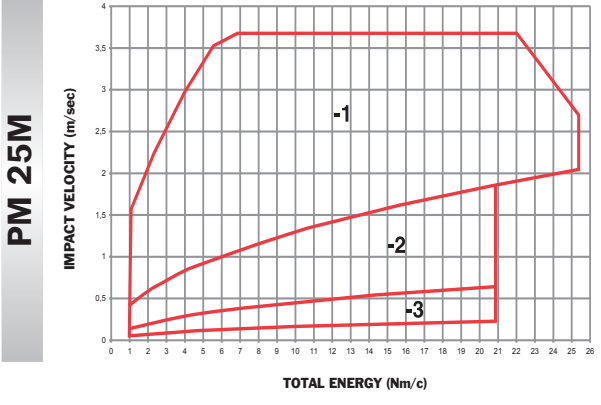
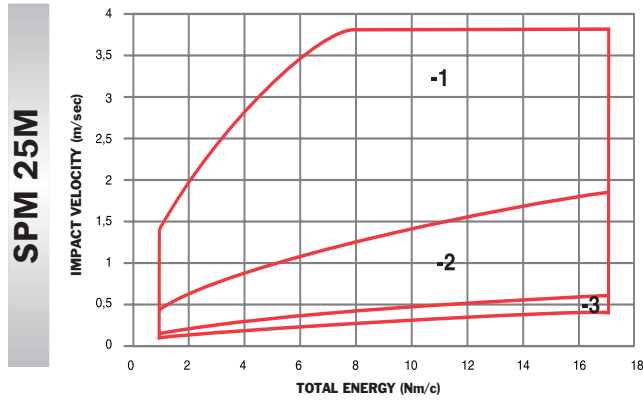
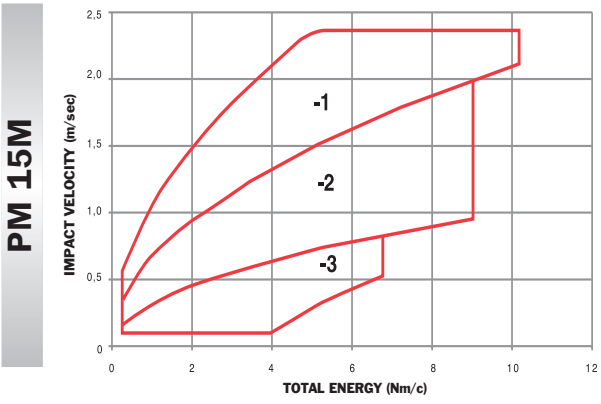
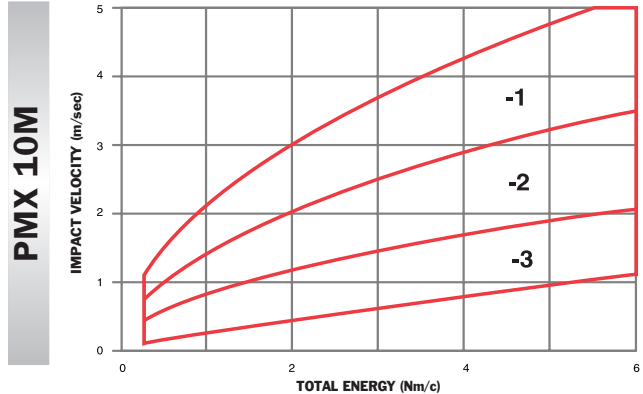
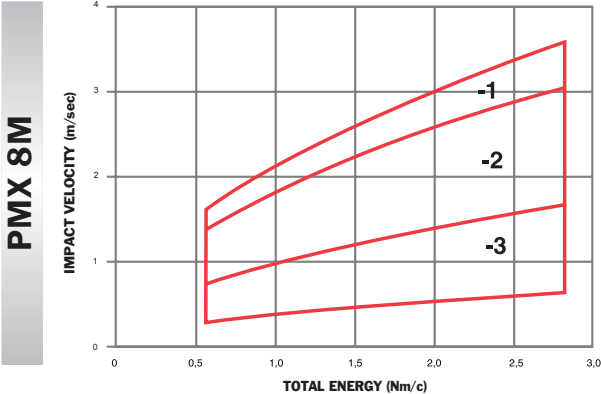
STH 1.0M X 2



A	A ₁	B	C	D	E	F	G	H	K	WF	(S) Stroke (mm)	Catalog No. (Model)
-	61,0	12,7	(MF) M10 x 1,0	4,8	12,7	41,7	-	-	9,5	-	6,0	ST .25M
-	71,0	-	(MF) M14 x 1,0	4,8	12,7	51,0	-	-	-	13,0	6,0	STH .25M
-	79,3	19,0	(MF) M10 x 1,0	5,6	9,5	59,0	-	-	9,5	-	12,5	ST .5M
-	89,0	-	(MF) M22 x 1,5	5,6	9,5	68,5	-	-	-	20,0	12,5	STH .5M
-	114,3	25,4	(MF) M16 x 1,0	8,0	14,3	87,4	-	-	16,0	-	19,0	ST .75M
-	130,0	-	(MF) M30 x 2,0	8,0	14,3	103,0	-	-	-	27,0	19,0	STH .75M
-	150,8	31,7	(MF) M18 x 1,5	9,5	17,5	117,5	-	-	19,0	-	25,0	ST 1.0M
-	170,0	-	(MF) M36 x 1,5	9,5	17,5	136,5	-	-	-	32,0	25,0	STH 1.0M
-	238,2	-	(MF) M36 x 1,5	9,5	17,5	178,3	31,7	134,0	38,0	-	50,0	SH 1.0M x 2
-	238,2	-	(MF) M36 x 1,5	9,5	17,5	178,3	-	-	-	32,0	50,0	STH 1.0M x 2
180,0	-	-	(MF) M45 x 1,5	16,0	-	154,0	-	-	-	42,0	25,0	STH 1.5M
270,0	-	-	(MF) M45 x 1,5	16,0	-	219,0	-	-	-	42,0	50,0	STH 1.5M x 2

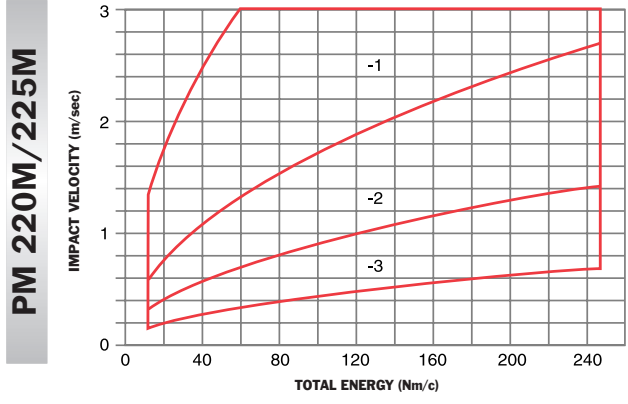
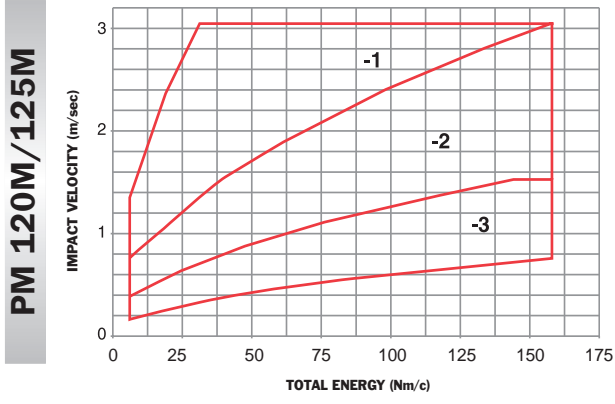
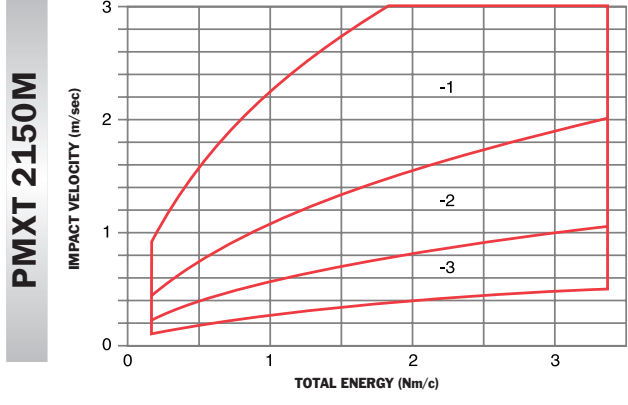
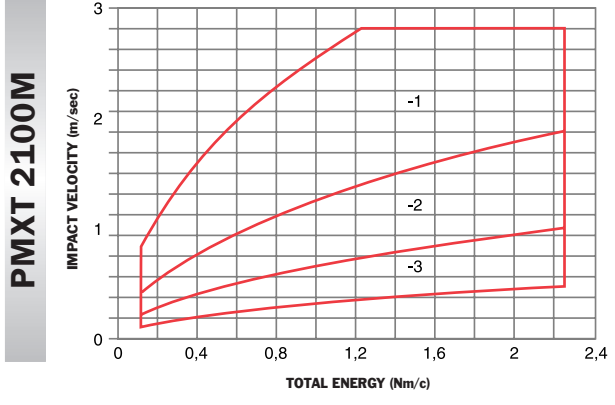
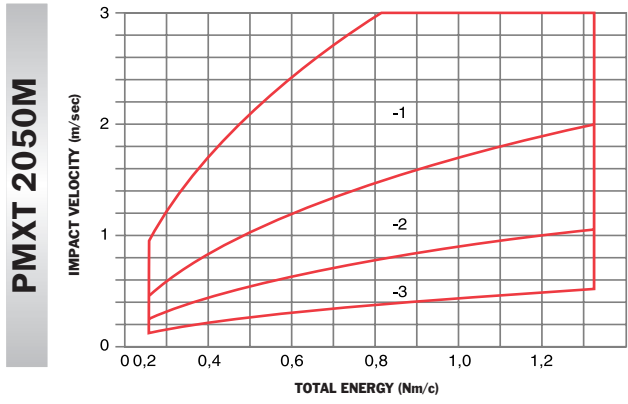
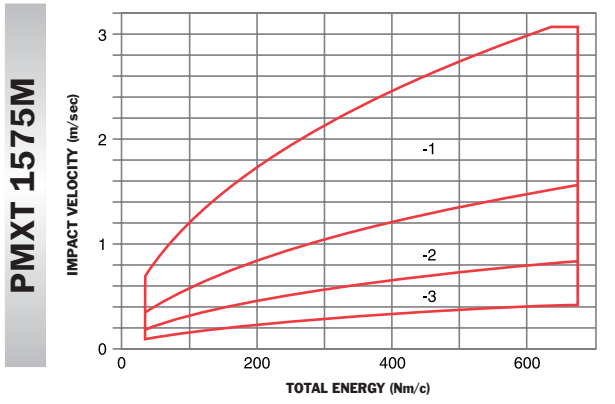
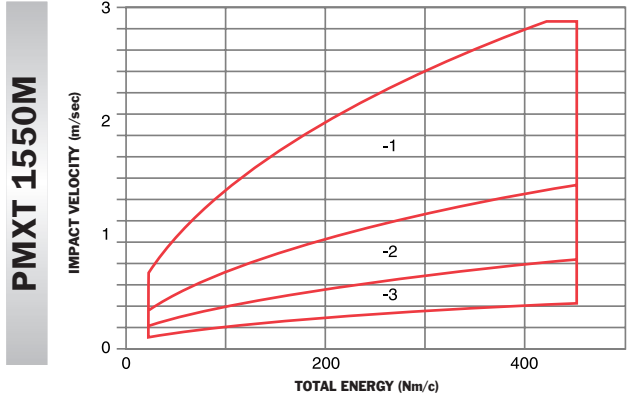
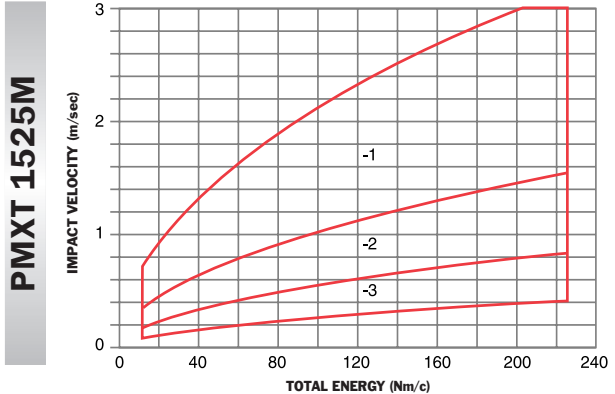
All dimensions in millimeters.

SIZING GRAPHIC



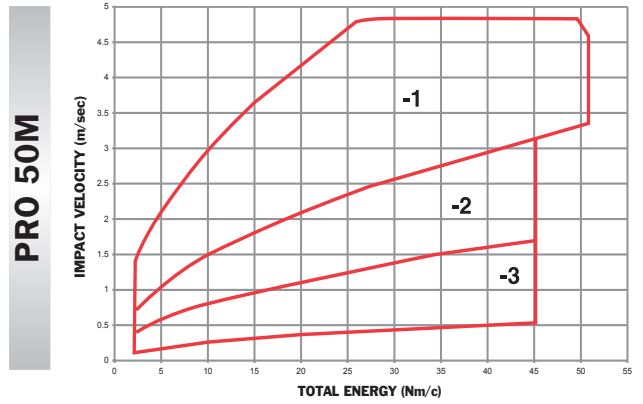
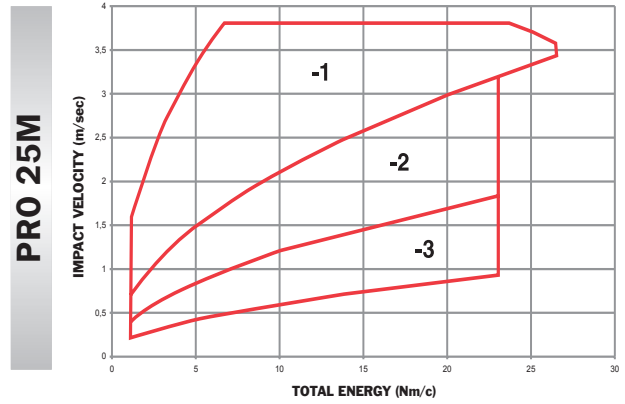
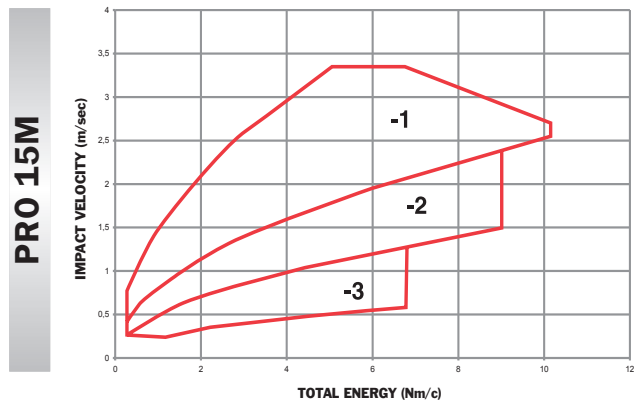
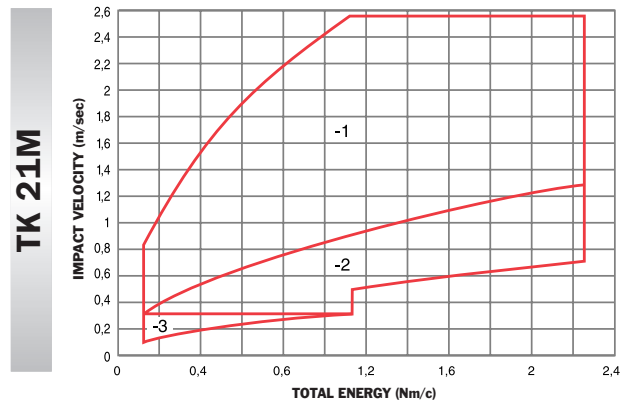
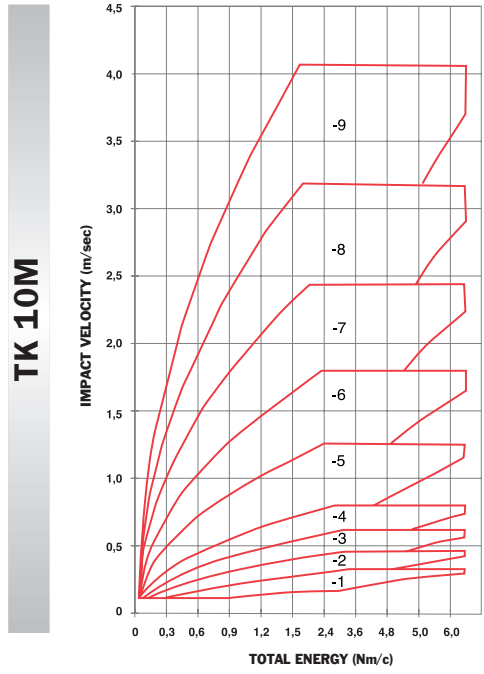
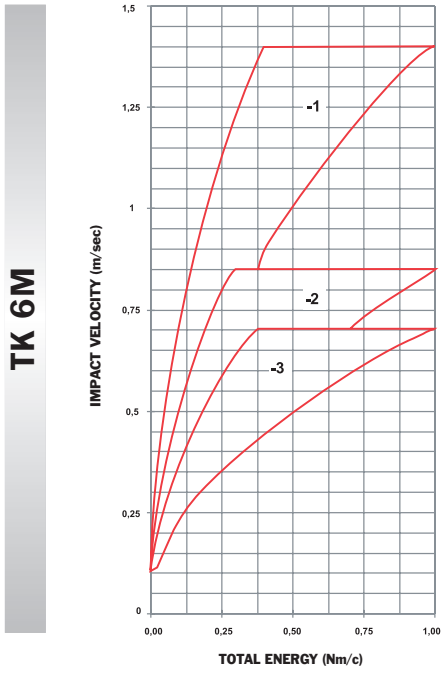
※PM모델의 최저 충돌속도는 0.1m/sec입니다.

SIZING GRAPHIC



SHOCK ABSORBER | NEW PRODUCT | WR ISOLATOR | AIR SPRING | OTHER

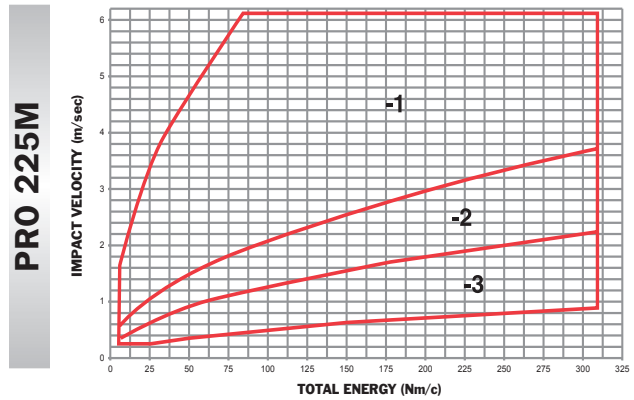
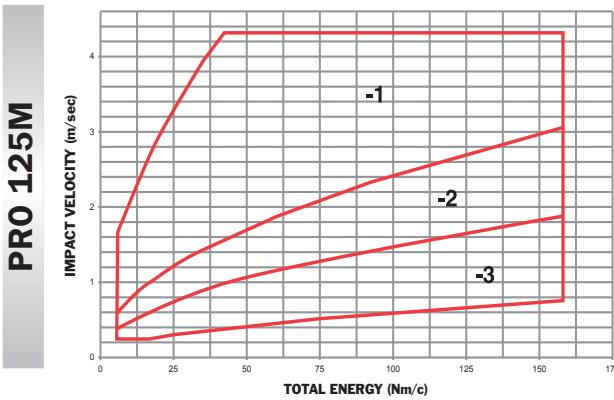
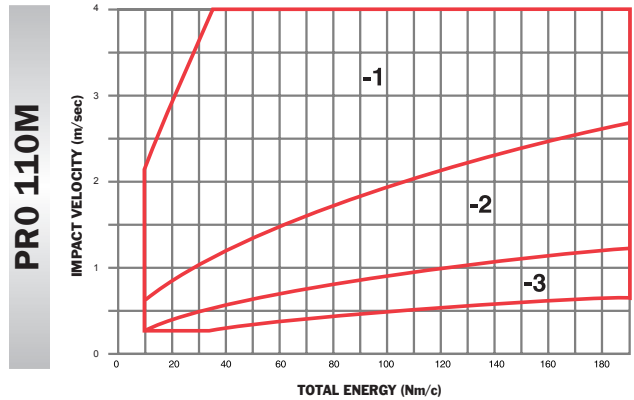
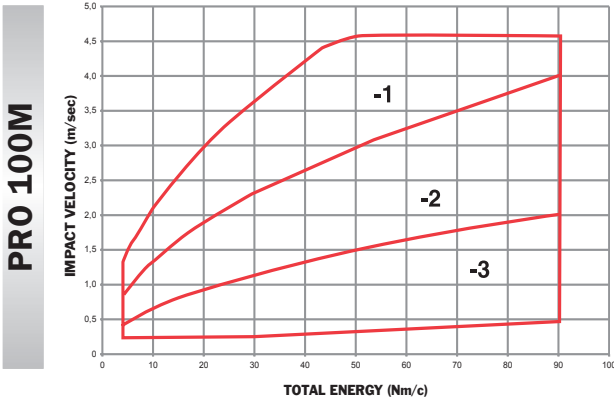
SIZING GRAPHIC



※PRO 모델의 최저 충돌속도는 0.25m/sec입니다.

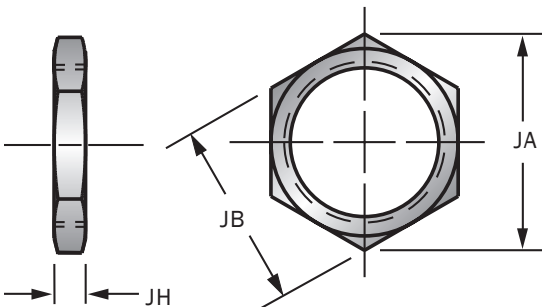
Non-Adjustable Hydraulic Series

SIZING GRAPHIC



Non-Adjustable Hydraulic Series Accessories

JAM NUT (JN)

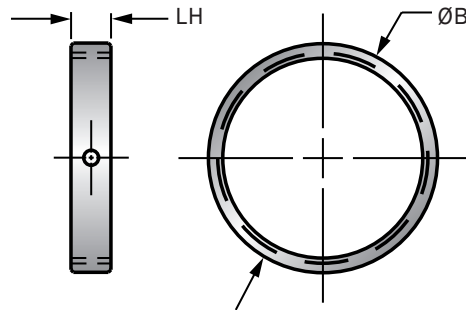


Catalog No.	Part Numbers	Model (Ref)	JA	JB	JH	Wt (oz)
JN M 8 x 0,75	J2 9137 185	PMX 8MF	14,0	12,0	4,0	2
JN M 8 x 1	J2 9137 035	PMX 8MC	14,0	12,0	4,0	2
JN M10 x 1	J2 4421 035	PMX 10MF TK 10/21M	15,0	13,0	3,2	2
JN M12 x 1	J2 5588 035	PRO/PM 15MF	17,3	15,0	4,0	2
JN M14 x 1	J2 4950 035	SPM/PM/PRO 25MF STH .25M	19,7	17,0	4,0	3
JN M14 x 1,5	J2 3935 035	SPM/PM/PRO 25MC	19,7	17,0	4,0	3
JN M20 x 1,5	J2 2646 035	SPM/PM/PRO 50MC	27,7	24,0	4,6	9
JN M22 x 1,5	J2 6402 035	STH .5M	31,5	27,0	5,5	12
JN M25 x 1,5	J2 3004 035	PM/PRO 100MF PRO 110MF	37,0	32,0	4,6	15
JN M25 x 2	J2 5568 035	PRO 110MC	37,0	32,0	4,6	15
JN M27 x 3	J2 2587 035	PM/PRO 100MC	37,0	32,0	4,6	15
JN M30 x 2	J2 30583 035	STH .75M	41,6	36,0	7,0	26
JN M33 x 1,5	J2 8609 035	PM 120/220MF	47,3	41,0	6,4	27
JN M36 x 1,5	J2 3164 035	PRO 125/225MF STH 1.0M/1.0M x 2	47,3	41,0	6,4	27

All dimensions in millimeters.

Non-Adjustable Hydraulic Series Accessories

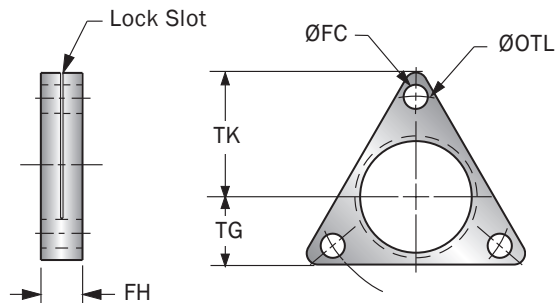
LOCK RING (LR)



Catalog No.	Part Number	Model (Ref)	FC	FH	Weight(g)
LR M45 x 1,5	F88637049	PM 1500 Series	57,2	9,5	75
LR M64 x 2	F83010049	PM 2000 Series	57,2	12,7	85

All dimensions in millimeters.

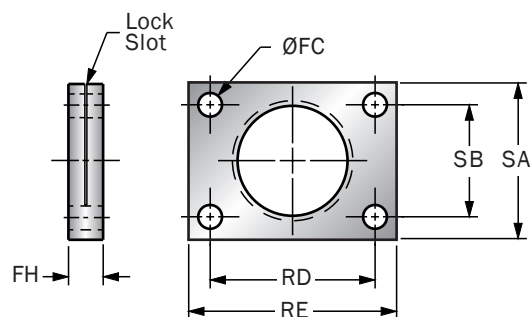
TRIANGULAR FLANGE (TF)



Catalog No.	Part Number	Model(Fef)	FC	FH	TG	TK	TL	Bolt Size	Weight(g)
TF M64 x 2	M3 3010 093	PM 2000 Series	10,4	15,7	60,5	39,6	98,6	M10	453

All dimensions in millimeters.

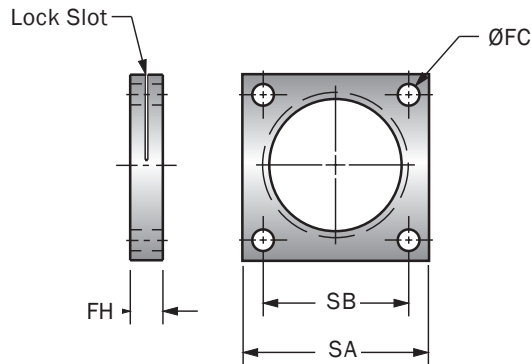
RECTANGULAR FLANGE (RF)



Catalog No.	Part Number	Model(Fef)	FC	FH	RD	RE	SA	SB	Bolt Size	Weight(g)
RF M33 x 1,5	M5 8609 053	PM 120/220MF	5,5	9,5	41,3	50,8	44,5	28,6	M5	30
RF M36 x 1,5	N1 4348 141	PRO 125/225MF	5,5	9,5	41,3	50,8	44,5	28,6	M5	30
RF M45 x 1,5	M5 8637 053	PM 1500 Series STH 1.5 Series	8,6	12,7	60,5	76,2	57,2	41,4	M8	250
RF M64 x 2	-	PM 2000 Series	10,4	15,7	83,5	105,0	90,0	70,0	M10	620

All dimensions in millimeters.

SQUARE FLANGE (SF)



Catalog No.	Part Number	Model (Ref)	FC	FH	SA	SB	Bolt Size	Weight (g)
SF M45 x 1,5	M48637 056	PM 1500M Series STH 1.5M Series	8,6	12,7	57,2	41,3	M8	142
SF M64 x 2	M43010 056	PM 2000M Series	10,4	15,7	90,0	70,0	M10	570

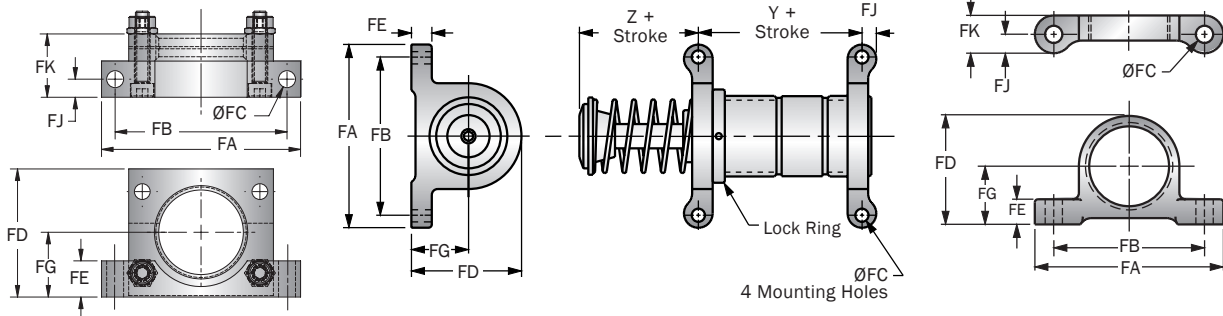
All dimensions in millimeters.

FOOT MOUNT KIT (FM)

PM 120M, PM 220M,
PRO 125M, PRO 225M

Typical Foot Mount Installation

PM 1500M, PM 2000M



Catalog No.	Part Number	Model (Ref)	Y	Z	FA	FB	FC	FD	FE	FG	FJ	FK	Bolt Size	Weight (g)	Notes
FM M33 x 1,5	2F21049306	PM 120/220M	57,2	31,8	70,0	60,3	5,90	45,0	12,7	22,7	6,4	22,2	M5	100	-
FM M36 x 1,5	2F21293306	PRO 125/225M	57,2	31,8	70,0	60,3	5,90	45,0	12,7	22,7	6,4	22,2	M5	100	-
FM M45 x 1,5	2F8637	PM 1500M Series	60,5	26,9	95,3	76,2	8,60	54,9	12,7	29,5	9,7	-	M8	370	-
FM M64 x 2	2F3010	PM 2000M Series	76,2	39,6	143,0	124,0	10,40	85,6	16,0	44,5	11,2	-	M10	1 050	1

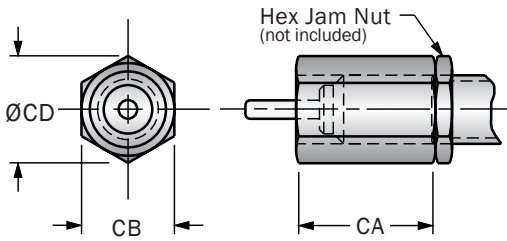
All dimensions in millimeters.

Non-Adjustable Hydraulic Series Accessories

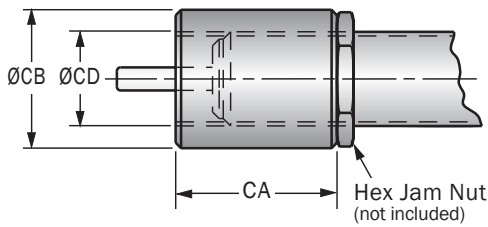
STOP COLLAR (SC)

OEM 0.1M → OEM 1.25M

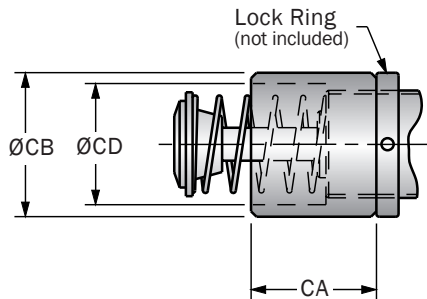
HP 110M



OEM 3/4 → OEM 2.0M



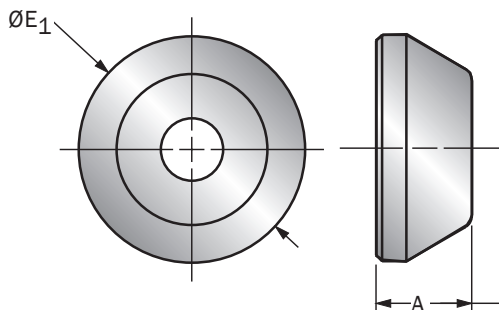
PMXT 1525M → PMXT 2150M



Catalog No.	Part Number	Model (Ref)	CA	CB	CD	Weight (g)
SC M8 x 0,75	M99137175	PMX 8MF	19,0	12,0	14,0	23
SC M8 x 1	M99137058	PMX 8MC	19,0	12,0	14,0	23
SC M10 x 1	M98921171	PMX 10MF	19,0	–	14,3	11
SC M12 x 1	M930289171	PRO 15M	19,0	–	16,0	14
SC M14 x 1,0	M930281171	SPM/PM/PRO 25MF	25,4	–	18,0	20
SC M14 x 1,5	M930286171	SPM/PM/PRO 25MC	25,4	–	21,0	38
SC M20 x 1,5	M930282171	SPM/PM/PRO 50M	38,0	–	25,0	63
SC M25 x 1,5	M930284171	PM/PRO 100MF	44,5	–	38,0	215
SC M25 x 1,5 x 40	M931291171	PRO 110MF	50,0	–	38,0	215
SC M25 x 2	M930288171	PRO 110MC	44,5	–	38,0	215
SC M27 x 3	M930283171	PM/PRO 100MC	44,5	–	38,0	215
SC M33 x 1,5	M930290171	PM/PRO 120/220M	41,0	–	38,0	210
SC M36 x 1,5	M930285058	PRO 125/225MF	63,5	–	43,0	210
SC M45 x 1,5	8K8637	PM 1525/1550/1575	49,0	49,0	56,0	270
SC M64 x 2 x 2	M93010057	PM XT 2050MF	89,0	65,0	76,0	936
SC M64 x 2 x 4	M93011057	PM XT 2100MF	114,0	65,0	76,0	1 191
SC M64 x 2 x 6	M93012057	PM XT 2150MF	143,0	65,0	76,0	1 475

All dimensions in millimeters.

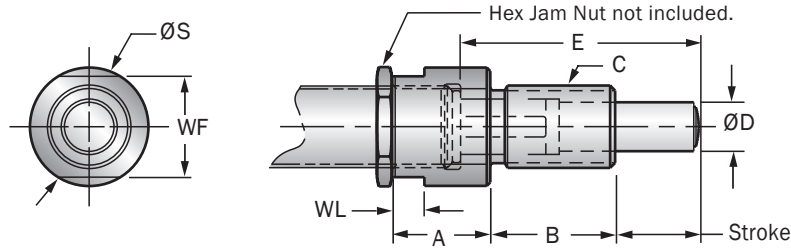
URETHANE STRIKER CAP (UC)



Catalog No.	Part Number	Model (Ref)	A	E ₁	Weight (g)
UC 8609	C98609079	PM120/220	10,0	30,5	3
UC 2940	C92940079	PM 1500	24,5	44,5	14
UC 3010	C93010079	PM 2000	24,0	57,0	23
UC 5568	C95568079	PRO 110	10,0	22,0	3
UC 4858	C94585079	PRO 125/225	10,0	35,0	3

All dimensions in millimeters.

SIDELOAD ADAPTERS (SLA)



Catalog No.	Part Number	Model	A	B	C	D	E	S	WF	WL	Stroke
SLA 10 MF	SLA 33457	TK 10M/PMX 10M	11	12	M10 x 1	5,0	21,9	13,0	11,0	4,0	6,4
SLA 12 MF	SLA 33299	PRO/PM 15M	14	14	M12 x 1	6,0	32,4	14,0	13,0	7,0	10,0
SLA 14 MFS	SLA 33306	SPM 25M	16	20	M14 x 1	8,0	39,2	18,0	15,0	7,0	12,7
SLA 14 MCS	SLA 33301	SPM 25MC	16	20	M14 x 1,5	8,0	39,2	18,0	15,0	7,0	12,7
SLA 14 MF	SLA 33297	PRO/PM 25M	13	26	M14 x 1	8,0	45,2	18,0	15,0	7,0	16,0
SLA 14 MC	SLA 33298	PRO/PM 25MC	13	26	M14 x 1,5	8,0	45,2	18,0	15,0	7,0	16,0
SLA 20 MC	SLA 33302	PRO/PM 50M	17	32	M20 x 1,5	11,0	62,0	25,0	22,0	7,0	22,0
SLA 20 MCS	SLA 33262	SPM 50M	14	24	M20 x 1,5	11,0	41,5	25,0	22,0	7,0	12,7
SLA 25 MF	SLA 33263	PRO/PM 100M	30	38	M25 x 1,5	15,0	73,2	36,0	32,0	7,0	25,4
SLA 27 MC	SLA 33296	PRO/PM 100MC	30	38	M27 x 3	15,0	73,2	36,0	32,0	10,0	25,4

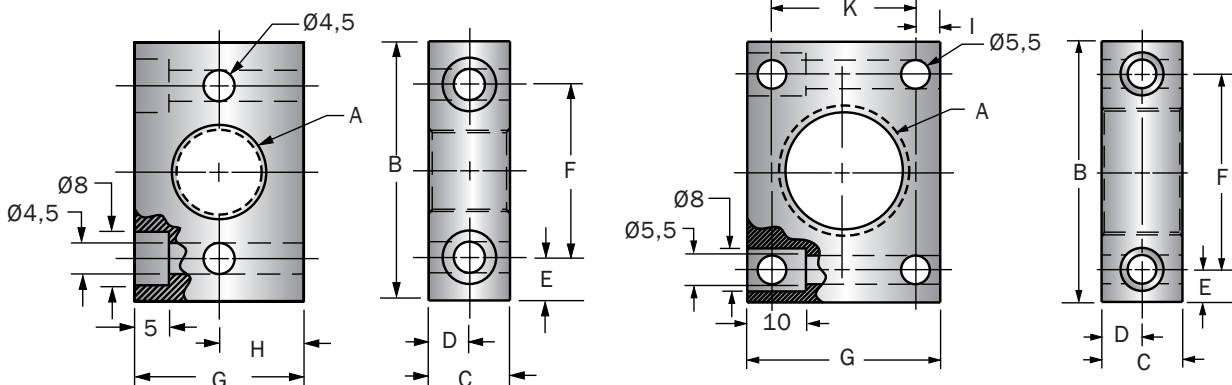
* 주의 : 버튼이 없는 모델만 사용 가능합니다. 최대 Sideload 30°C입니다.

All dimensions in millimeters.

UNIVERSAL RETAINING FLANGE (UF)

UF M10 x 1 → UF M14 x 1,5

UF M20 x 1,5 → UF M27 x 3



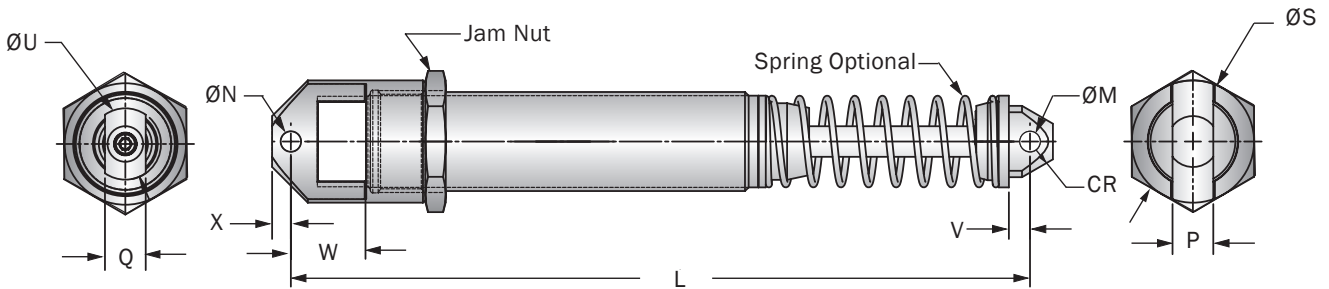
Catalog No.	Part Number	Model	A	B	C	D	E	F	G	H	K
UF M10 x 1	U1 6363 189	TK 10M, TK21/PMX 10M	M10 x 1	38,0	12,0	6,0	6,25	25,5	25	12,5	—
UF M12 x 1	U1 5588 189	PRO/PM 15M	M12 x 1	38,0	12,0	6,0	6,25	25,5	25	12,5	—
UF M14 x 1	U1 4950 189	SPM/PRO 25MF	M14 x 1	45,0	16,0	8,0	5,0	35,0	30	15,0	—
UF M14 x 1,5	U1 3935 143	SPM/PM/PRO 25MC	M14 x 1,5	45,0	16,0	8,0	5,0	35,0	30	15,0	—
UF M20 x 1,5	U1 2646 143	SPM/PM/PRO 50MC	M20 x 1,5	see drawing							25,5
UF M25 x 1,5*	U1 3004 143	PM/PRO 100/110M	M25 x 1,5								25,5
UF M25 x 2*	U1 5568 143	PRO 110MC	M25 x 2								25,5
UF M27 x 3*	U1 2587 143	PM/PRO 100MC	M27 x 3								25,5

All dimensions in millimeters.

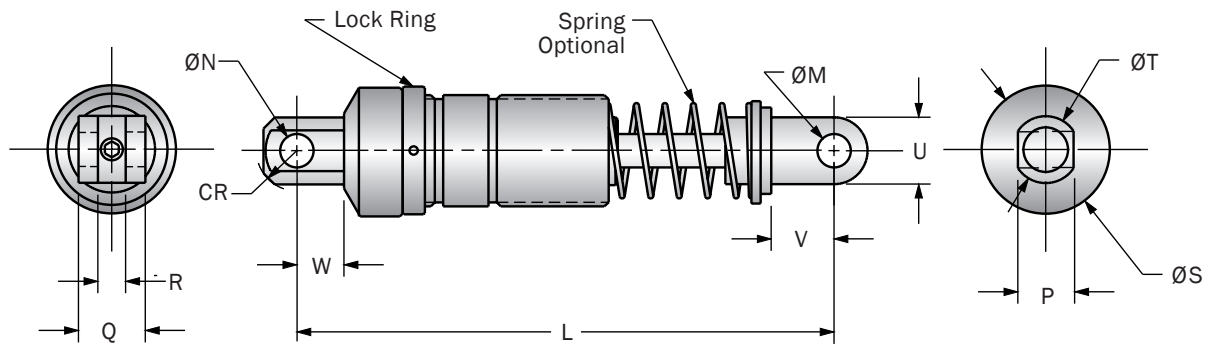
Non-Adjustable Hydraulic Series Accessories

CLEVIS MOUNTING

PM 120 CM(S) → PM 225 CM(S)
 PRO 110 CM(S) → PRO 225 CM(S)



PM 1525 CM(S) → PM 2150 CM(S)



Catalog No. (Model Ref)	L	M	N	P	Q	R	S	T	U	V	W	X	CR	Model Wt (kg)
PM/PRO 120 CM(S)	167	6,38 ^{+0,1} ₀	6,38 ^{+0,1} ₀	12,70 ⁰ _{-0,2}	12,70 ⁰ _{-0,2}	—	38	—	23	6	12	6,1	11,2	0,59
PM/PRO 220 CM(S)	234	6,38 ^{+0,1} ₀	6,38 ^{+0,1} ₀	12,70 ⁰ _{-0,2}	12,70 ⁰ _{-0,2}	—	38	—	23	6	12	6,1	11,2	0,77
PM 1525 CM(S)	199	9,60 ^{+0,2} ₀	12,70 ^{+0,2} ₀	19,00 ⁰ _{-0,2}	25,4	12,9 ^{+0,5} ₀	51	25	25	25	22	—	14,3	1,36
PM 1550 CM(S)	250	9,60 ^{+0,2} ₀	12,70 ^{+0,2} ₀	19,00 ⁰ _{-0,2}	24,4	12,9 ^{+0,5} ₀	51	25	25	25	22	—	14,3	1,45
PM 1575 CM(S)	300	9,60 ^{+0,2} ₀	12,70 ^{+0,2} ₀	19,00 ⁰ _{-0,2}	25,4	12,9 ^{+0,5} ₀	51	25	25	25	22	—	14,3	1,63
PM 2050 CM(S)	306	19,07 ^{+0,2} ₀	19,07 ^{+0,2} ₀	31,70 ⁰ _{-0,2}	38,0	16,0 ^{+0,5} ₀	73	38	38	35	26	—	23,0	3,72
PM 2100 CM(S)	408	19,07 ^{+0,2} ₀	19,07 ^{+0,2} ₀	31,70 ⁰ _{-0,2}	38,0	16,0 ^{+0,5} ₀	73	38	38	35	26	—	23,0	4,22
PM 2150 CM(S)	537	19,07 ^{+0,2} ₀	19,07 ^{+0,2} ₀	31,70 ⁰ _{-0,2}	38,0	16,0 ^{+0,5} ₀	73	38	38	35	26	—	23,0	5,08
PRO 110 CM(S)	211	5,00 ^{+0,1} ₀	5,00 ^{+0,1} ₀	8,00 ⁰ _{-0,2}	8,00 ⁰ _{-0,2}	—	28	—	22	11	13	5,0	7,0	0,54
PRO 125 CM(S)	180	6,38 ^{+0,5} ₀	6,38 ^{+0,1} ₀	12,70 ⁰ _{-0,2}	12,70 ⁰ _{-0,2}	—	38	—	22	6	24	6,0	11,2	0,73
PRO 225 CM(S)	230	6,38 ^{+0,1} ₀	6,38 ^{+0,1} ₀	12,70 ⁰ _{-0,2}	12,70 ⁰ _{-0,2}	—	38	—	22	6	24	6,0	11,2	0,86

All dimensions in millimeters.